

MA1638

SAE Technical Standards Board Rules provide that: "This report is published by SAE to advance the state of technical and engineering sciences. The use of this report is entirely voluntary, and its applicability and suitability for any particular use, including any patent infringement arising therefrom, is the sole responsibility of the user." SAE reviews each technical report at least every five years at which time it may be reaffirmed, revised, or cancelled. SAE invites your written comments and suggestions.

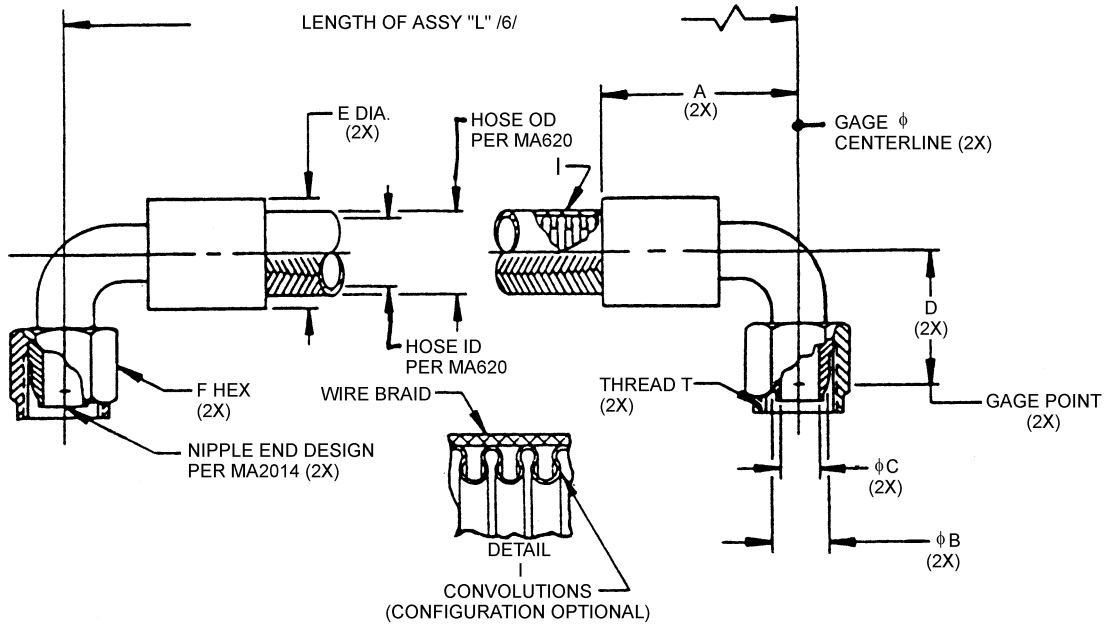


FIGURE 1 - HOSE ASSEMBLY

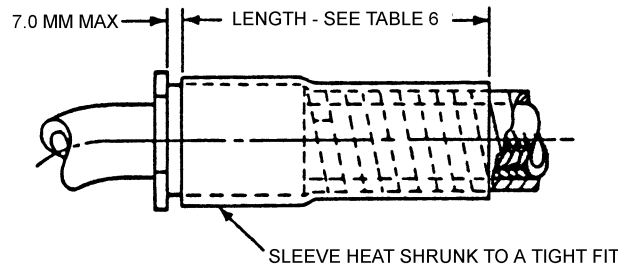
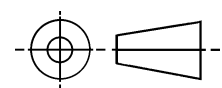


FIGURE 2 - SPIRAL ABRASION COVER 7/

THIRD ANGLE PROJECTION



CUSTODIAN: SAE G-3/G-3D

PROCUREMENT SPECIFICATION: MA620 /3/

SAE Aerospace
An SAE International Group

AEROSPACE STANDARD
HOSE ASSEMBLY, CONVOLUTED,
POLYTETRAFLUOROETHYLENE, METALLIC REINFORCED
CONDUCTIVE, FLARELESS, 90° TO 90°

MA1638
SHEET 1 OF 6

Copyright 2004 SAE International

All rights reserved. No part of this publication may be reproduced, stored in a retrieval system or transmitted, in any form or by any means, electronic, mechanical, photocopying, recording, or otherwise, without the prior written permission of SAE.

Copyright SAE International

Provided by IHS under license with SAE. **SAE AEROSPACE DOCUMENT ORDER:**

Tel: 877-606-7323 (inside USA and Canada)
Fax: 724-776-0790

Tel: 724-776-4970 (outside USA)
Email: custsvc@sae.org

SAE WEB ADDRESS: <http://www.sae.org>

ISSUED 1998-03 REAFFIRMED 2004-07

MA1638

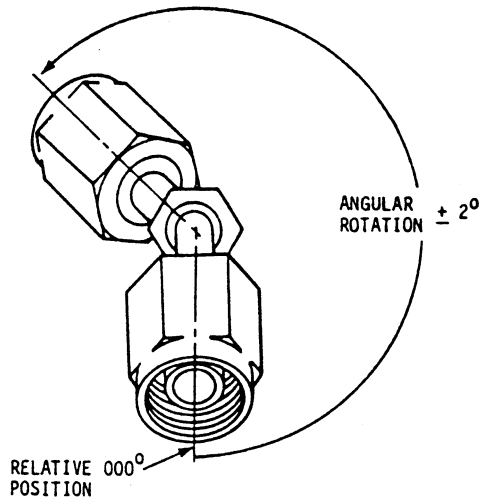


FIGURE 3 - FITTING ANGULAR ORIENTATION /17/

TABLE 1 - ASSEMBLY DIMENSIONS

HOSE ASSY NO. AND SIZE CODE	HOSE ASSEMBLY SIZE DN	THREAD T PER MA1370 4g - 6g	A MAX	B GAGE BASIC	C /9/ DRILL MIN	D MIN	D MAX	E /10/ MAX WITHOUT SLEEVING	F HEX (REF)
MA1638E	06	MJ12 x 1.25	31.5	7.5	3.4	18.0	19.8	14.0	14
MA1638G	10	MJ14 x 1.5	41.4	9.5	6.5	24.4	26.2	17.3	17
MA1638H	12	MJ18 x 1.5	47.0	13.5	8.8	28.3	30.1	21.8	22
MA1638J	16	MJ22 x 1.5	55.7	17.5	10.9	35.0	36.8	24.1	27
MA1638K	20	MJ27 x 1.5	67.8	21.5	16.1	36.8	38.5	32.5	32
MA1638M	25	MJ33 x 1.5	77.0	26.6	21.2	47.8	49.5	37.3	41
MA1638N	32	MJ42 x 2	98.8	33.7	27.5	55.4	57.2	43.2	46
MA1638P	40	MJ50 x 2	105.4	41.7	33.3	67.4	69.2	50.8	60

TABLE 2 - ASSEMBLY LENGTH TOLERANCE

HOSE ASSEMBLY LENGTH	TOLERANCE
UNDER 457 mm	± 3 mm
457 TO 914 mm EXCLUSIVE	± 7 mm
914 TO 1270 mm EXCLUSIVE	± 13 mm
1270 mm AND OVER	$\pm 1\%$

SAE Aerospace
An SAE International Group

AEROSPACE STANDARD
HOSE ASSEMBLY, CONVOLUTED,
POLYTETRAFLUOROETHYLENE, METALLIC REINFORCED
CONDUCTIVE, FLARELESS, 90° TO 90°

MA1638
SHEET 2 OF 6